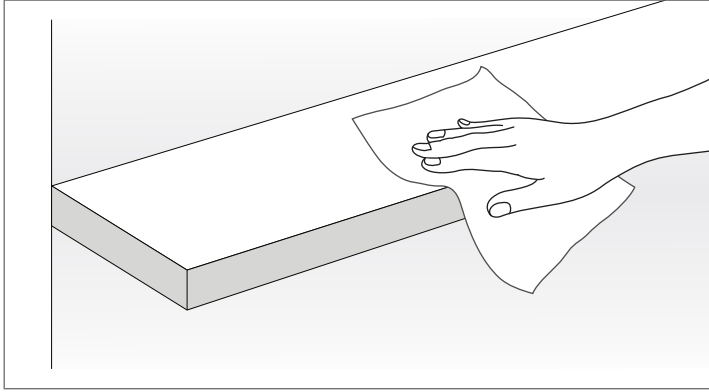


# INSTALLATION GUIDE

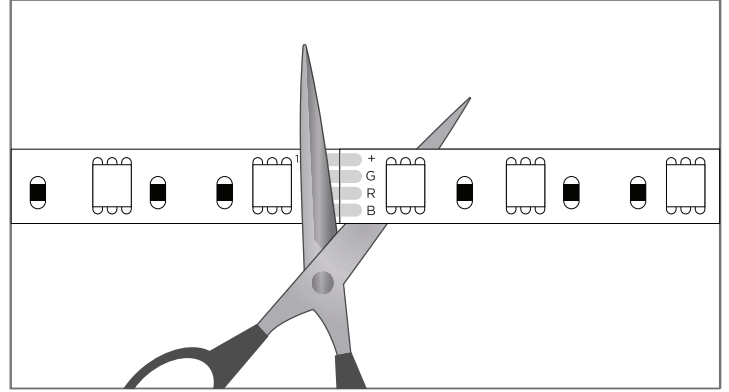
## RGB Strip Light

### WARNING

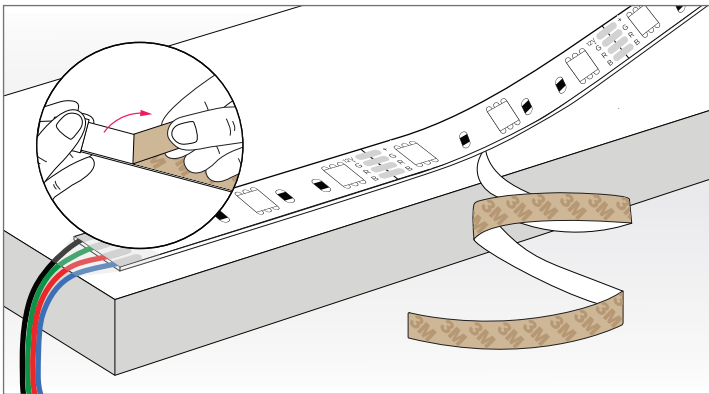
Electrical shock risk. Do not modify these products, as any alterations may void the warranty and compromise safety. Installation requires knowledge of electrical sign systems; if you are not qualified, please consult a certified electrician. Always disconnect the power supply before installing the product. Ensure the correct driver (12V or 24V) and adequate maximum wattage are used. Adhere to the specified guidelines for optimal results.



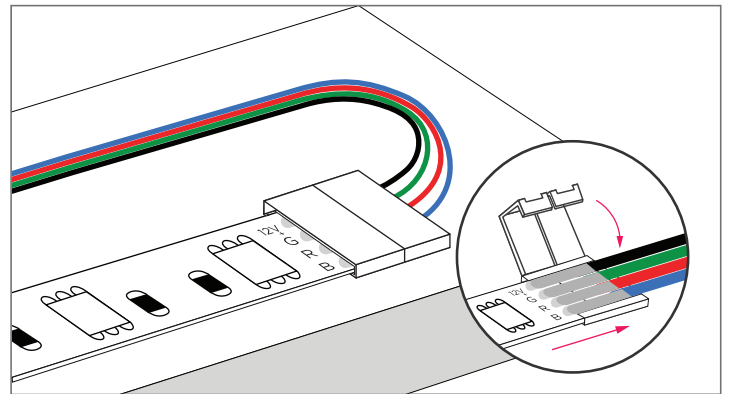
**1** Clean and dry the areas shelf or wardrobe, where you're going to install the strip lights, ensuring it is free from any debris or dirt.



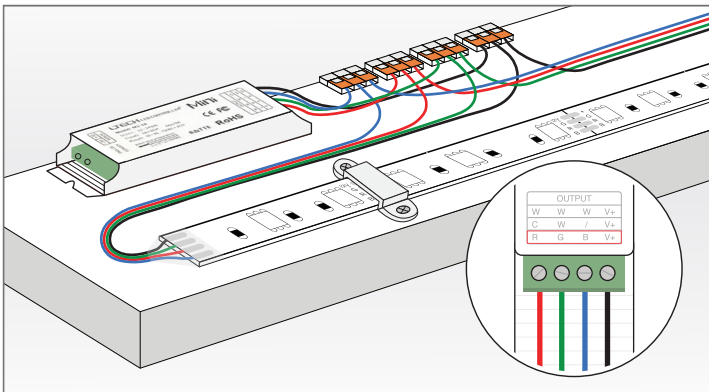
**2** Cut the RGB strip to the required length by following the cutting mark, ensuring that you prevent damage to the light.



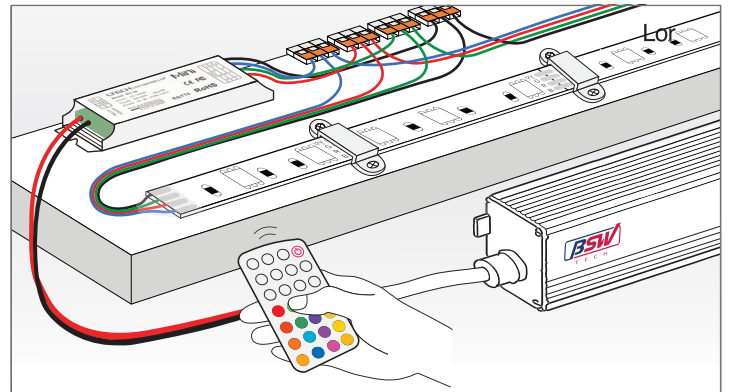
**3** Remove the adhesive tape, position the RGB strips carefully, ensuring they are straight, and press firmly. Avoid removing and reapplying the strip (see Figure 1 on page 2).



**4** Our RGB Strip Connector enables quick, solder-free joining of wires or LED strips. Various connector types are available to suit specific applications (see Figure 2, page 2).



**5** Connect the RGB controller to RGB strips to operating RGB functions. WAGO connectors enable quick wiring of LEDs in series. \*Polarity must be matched (+, -).



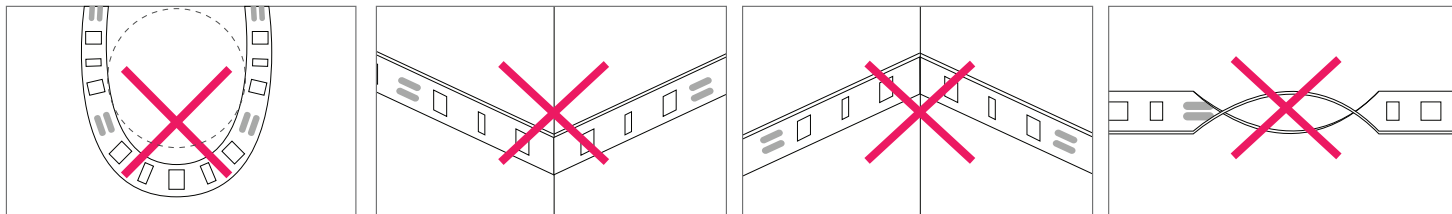
**6** Wire both ends of RGB strips to the power supply. For multiple series, connect them in parallel (refer to Figure 3 on page 2). Adjust the RGB strip with a remote control.

# INSTALLATION GUIDE

## RGB Strip Light

### Figure 1. Installation Precautions

Ensure safety and optimal performance by following these essential guidelines during LED strip light installation.



LED Strip should not be bent more than 50mm.

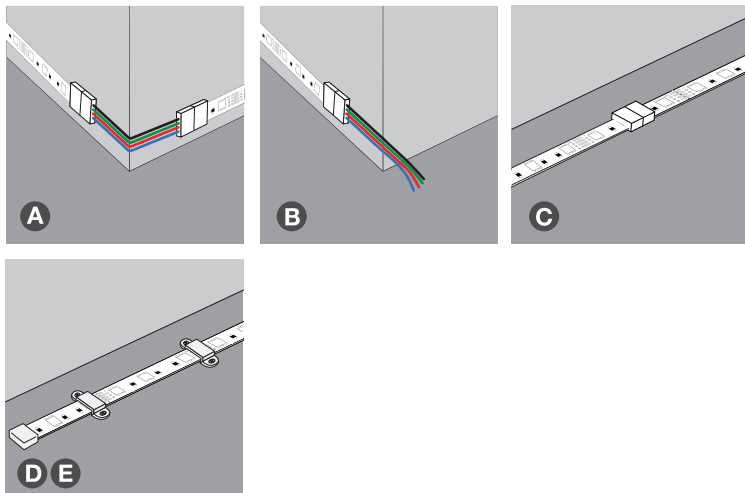
LED Strip should not be bent at 90°.

LED Strip should not be twisted.

### Figure 2. Accessories

We have various types of LED RGB strip connectors that make combining strips easy, without soldering.

*\*Due to its unique shape, the Zigzag Type is not compatible with the provided connectors; We recommend soldering.*

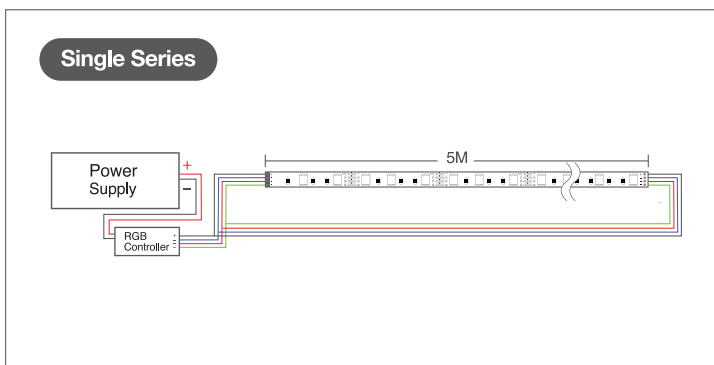


Product	Type	Itemcode	Usage
Connector <small>For indoor</small>	A Wire Both Ends	SA 9836	10mm
	B Wire One Ends	SA 9826	10mm
	C Strip to Strip	SA 9816	10mm
*Mount & Endcap <small>For outdoor</small>	D Mount & Finish	SA 9911	10mm 12mm
Endcap <small>For outdoor</small>	E Without Hole	WL 4L	12mm

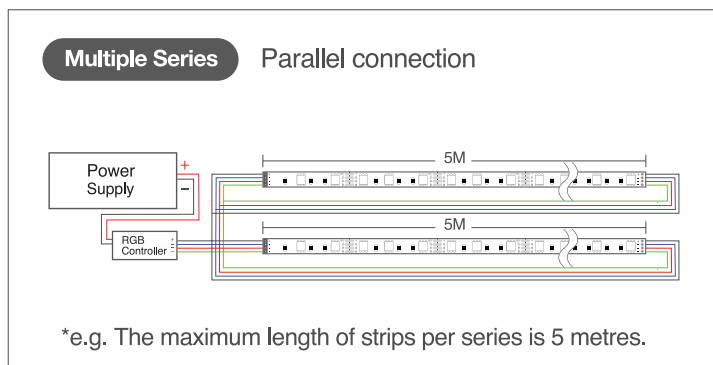
*\*For mount usage - Primary: Outdoor LED Strips / Optional: Indoor LED Strips*

### Figure 3. Max In Series

**Check Polarity :** All connections must be **RED-TO-RED (+)** and **BLACK-TO-BLACK(-)**. Reverse polarity connections may damage the LEDs and will void the product warranty.



Do not exceed the maximum length of LED strips per series (refer to each item's spec sheet). We recommend wiring both ends of LED strips to the power supply.



\*e.g. The maximum length of strips per series is 5 metres.

If you require **multiple strips**, they must be wired in parallel as a safe electrical operation mode. **Serial connection is not recommended**, as unbalanced voltage drops can lead to hazardous overload, potentially damaging the LED strips and causing uneven brightness.